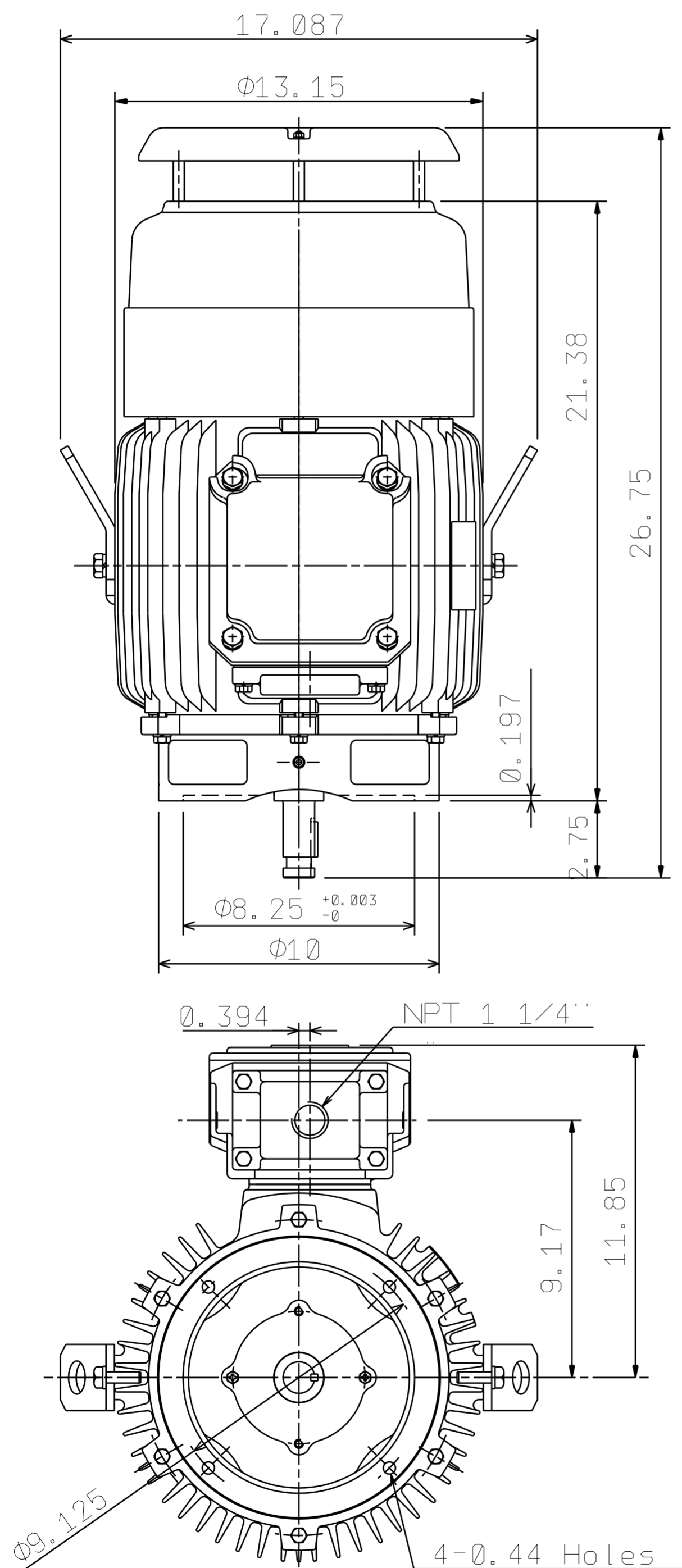


CATALOG NUMBER: VSTP0154	OUTLINE DIMENSIONS 3-PHASE INDUCTION MOTOR	MOTOR TYPE: AEEHED
DATE SEP-29-2017		FRAME NO. 254VP

Pole	HP	kw	Hz	VOLT	Syn. Speed r/min (rpm)
4	15	11.2	60	230/460	1800
Ins	Rating	Dimension in	Approx Weight	Bearings	
F	CONT.	Inch	350 LBS	DE: 6309ZZC3 NDE: 7311B	

Totally Enclosed Fan-Cooled Vertical Type Squirrel-Cage Rotor.



NOTE:

1. CLASS F INSULATION, S.F.: 1.15
2. FOR DIRECT COUPLING.
3. ROTATION: CCW [VIEW FROM TOP].
4. WITH NON-REVERSE RATCHET MECHANISM.
5. DOWNTHRUST: 3350 LBS (L10-8800HRS)
6. SPACE HEATER RATED AT 120 VOLT, SINGLE PHASE, 109 WATTS, LEADS TERMINATE IN MAIN LEAD BOX.

\emptyset		
-------------	--	--

DWN.	W. C. LAY	09.07.07
CHKD.	K. L. KUO	09.08.07
APPD.	M. C. TSAI	09.08.07



DWG NO.
31057H481230